



**Subject:**

---

**Performance data**

**Application: Refrigeration & AC**

Refrigerant	R452A	Compressor refrigeration capacity	35.30 kW
Reference temperature	Dew point	Evaporator refrigeration capacity	35.30 kW
Power supply	50 Hz, 400 V	Power consumption	15.20 kW
Supply frequency	50 Hz	Current draw (400 V)	27.30 A
Evaporating temperature	-10.0 °C	Coefficient of performance (COP/EER)	2.32
<i>Evaporating pressure (abs.)</i>	<i>3.99 bar</i>	Condensing capacity	50.60 kW
Condensing temperature	45.0 °C	Mass flow	0.335 kg/s
<i>Condensing pressure (abs.)</i>	<i>19.83 bar</i>	Discharge end temperature	71.1 °C <sup>1)</sup>
Suction gas superheat	10 K		
Subcooling (outside cond.)	0 K		
Usable superheat	100%		

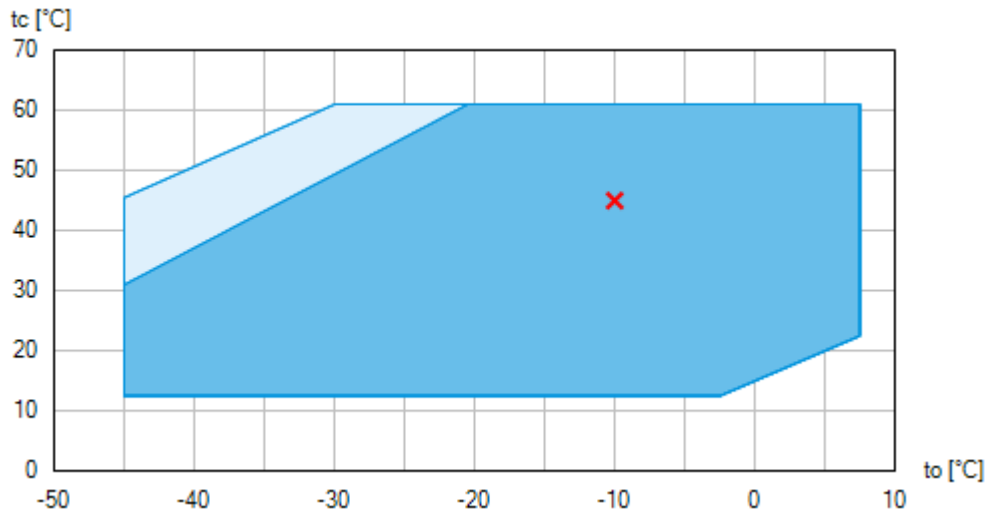
*Preliminary capacity data.*



- 
- 1) The stated value of the discharge end temperature is a mere calculated value. Additional cooling and heat dissipation are not considered. Deviations (particularly in deep freezing applications) from the real measured discharge temperature during operation are possible.

**Subject:**

---

## Operating limits



-  Unlimited application range
-  Supplementary cooling or reduced suction gas temperature ( $\Delta t_{oh} < 20K$ )

Compressor operation is possible within the limits shown on the diagrams of application. Please note the coloured areas. Compressor application limits should not be chosen for design purposes or continuous operation. Axis values refer to dew point (saturated vapour line).



**Subject:**

**Technical data**

Number of cylinders / Bore / Stroke	6 / 60 mm / 50 mm
Displacement 50/60 Hz (1450/1740 <sup>1</sup> /min)	73,80 / 88,60 m <sup>3</sup> /h
Voltage <sup>1)</sup>	380-420V Y/YY -3- 50Hz PW
	440-480V Y/YY -3- 60Hz PW
Winding divided into	50% / 50%
Max. working current <sup>2)</sup>	39.4 A
Max. power consumption <sup>2)</sup>	23.5 kW
Starting current (rotor blocked) <sup>2)</sup>	125.0 / 209.0 A
Motor protection	INT69 G
Protection terminal box	IP 66
Weight	211 kg
Frequency range <sup>3)</sup>	25 - 70 Hz
Max. permissible overpressure (g) (LP/HP) <sup>4)</sup>	19 / 28 bar
Connection suction line SV	54 mm - 2 1/8 "
Connection discharge line DV	35 mm - 1 3/8 "
Lubrication	Oil pump
Oil type R134a, R404A, R407A/C/F, R448A, R449A, R450A, R513A	BOCKlub E55
Oil type R22	BOCKlub A46
Oil charge	3,2 Ltr.
Oil sump heater	230 V - 1 - 50/60 Hz, 160 W
Dimensions Length / Width / Height	740 / 436 / 429 mm
Sound power level L <sub>WA</sub> <sup>5)</sup>	81 dB(A) @ -35 °C / +40 °C
	78 dB(A) @ -10 °C / +45 °C
	77 dB(A) @ +5 °C / +50 °C
Sound pressure level L <sub>pA</sub> <sup>5)</sup>	68 dB(A) @ -35 °C / +40 °C
	65 dB(A) @ -10 °C / +45 °C
	63 dB(A) @ +5 °C / +50 °C

Subject to change without notice

To:

From:

13.03.2026  
 Page 3 of 12



**Subject:**

---

- 1) Tolerance ( $\pm 10\%$ ) relates to the mean value of the voltage range. Other voltages and current types on request  
  
All data are based on voltage rms values  
  
PW = part winding, motors for part winding starting  
(no start unloaders required)  
Designs for Y/D on request
- 2) - The stated value for the max. power consumption is valid for the adjusted power supply.  
  
- Starting current (rotor blocked):
  - Part winding (PW) motors: Winding 1 / Winding 1+2
  - Delta/Star ( $\Delta/Y$ ) motors:  $\Delta / Y$- Take account of the max. operating current / max. power consumption for designing motor contractors, feed lines, fuses and motor protection switches. Motor contractors: Consumption category AC3.
- 3) The maximum permissible working current of the compressor ( $I_{max}$ ) must not be exceeded. Take account of the guidelines for use of frequency inverter (see compressor assembly instruction or selection software).
- 4) LP = Low pressure  
HP = High pressure
- 5) Declared dual-number noise emission values are in accordance with ISO 4871. The corresponding uncertainty to the sound power level is  $K_{WA} = 2,5$  dB and to the sound pressure level is  $K_{pA} = 2,5$  dB. The values are valid for 50 Hz with the refrigerant R404A at the standard rating points according to EN 12900.
  - A-weighted sound power level  $L_{WA}$  (re 1 pW), in decibel. To determine the values, measurement methods of the ISO 3740 standard with accuracy class 2 or higher were used .
  - A-weighted sound pressure level  $L_{pA}$  (re 20  $\mu$ Pa), in decibel. The values are calculated from the sound power level in accordance with ISO 11203:  $L_{pA} = L_{WA} - Q_2$  at a distance of  $d = 1$  m to the reference box.



**Subject:**

**Performance data table**

Application: Refrigeration & AC  
 Reference temperature: Dew point  
 Supply frequency: 50 Hz  
 Voltage: 400 V  
 Suction gas superheat: 10 K  
 Subcooling (outside cond.): 0 K

tc [°C]		to [°C]										
		0.0	-5.0	-10.0	-15.0	-20.0	-25.0	-30.0	-35.0	-40.0	-45.0	
10.0	Q [W] P [kW] I [A]											
15.0	Q [W] P [kW] I [A]	83900 7.95 18.80	69500 8.66 19.50	57000 9.00 19.90	46200 9.01 19.90	37000 8.74 19.60	29300 8.24 19.10	22800 7.55 18.40	17500 6.73 17.60	13100 5.82 16.70	9420 4.87 15.90	
20.0	Q [W] P [kW] I [A]	79200 9.97 20.90	65400 10.30 21.30	53500 10.30 21.30	43300 10.00 21.00	34600 9.56 20.50	27200 8.85 19.70	21100 7.97 18.80	16000 7.00 17.80	11700 5.97 16.90	8180 4.93 15.90	
25.0	Q [W] P [kW] I [A]	74400 11.80 23.00	61300 11.80 23.10	50000 11.50 22.70	40300 11.00 22.10	32000 10.20 21.30	25100 9.36 20.20	19300 8.32 19.10	14400 7.21 18.00	10400 6.07 17.00	6990 4.96 16.00	
30.0	Q [W] P [kW] I [A]	69500 13.40 25.10	57100 13.20 24.70	46400 12.60 24.10	37300 11.80 23.10	29500 10.80 22.00	23000 9.79 20.70	17500 8.59 19.40	13000 7.36 18.20	9100 6.14 17.00	5860 4.97 16.00	
35.0	Q [W] P [kW] I [A]	64500 15.00 27.10	52800 14.40 26.30	42800 13.60 25.20	34200 12.50 24.00	27000 11.40 22.60	20900 10.10 21.10	15800 8.82 19.70	11500 7.48 18.30	7870 6.19 17.10	4780 4.98 16.00	
40.0	Q [W] P [kW] I [A]	59500 16.30 28.90	48500 15.50 27.80	39100 14.40 26.30	31100 13.20 24.80	24400 11.80 23.10	18700 10.40 21.50	14000 9.00 19.90	10100 7.58 18.40	6670 6.23 17.10	3760 5.00 16.00	
45.0	Q [W] P [kW] I [A]	54400 17.60 30.70	44100 16.50 29.10	35300 15.20 27.30	28000 13.70 25.50	21800 12.20 23.60	16600 10.70 21.70	12300 9.16 20.00	8610 7.66 18.50	5510 6.28 17.10	2790 5.04 16.00	
50.0	Q [W] P [kW] I [A]	49200 18.70 32.30	39600 17.40 30.30	31500 15.90 28.30	24800 14.20 26.10	19100 12.60 24.00	14500 10.90 22.00	10500 9.30 20.20	7200 7.75 18.60	4370 6.35 17.20		
55.0	Q [W] P [kW] I [A]	43800 19.80 33.80	35000 18.20 31.50	27600 16.50 29.10	21500 14.70 26.70	16500 12.90 24.40	12300 11.10 22.30	8740 9.44 20.30	5810 7.86 18.70			
60.0	Q [W] P [kW] I [A]	38400 20.70 35.30	30300 18.90 32.60	23700 17.00 29.90	18200 15.10 27.20	13700 13.20 24.80	10100 11.30 22.50	6990 9.60 20.50				

*Preliminary capacity data.*

Supplementary cooling or reduced suction gas temperature ( $\Delta t_{oh} < 20K$ )

Subject to change without notice

To:

From:

13.03.2026  
Page 5 of 12

**BOCK® HGX56e/850-4 S**  
Engine: 380-420V Y/YY -3- 50Hz PW  
Refrigerant: R452A



**Subject:**

---

*t<sub>o</sub>* Evaporating temperature  
*t<sub>c</sub>* Condensing temperature  
*Q* Compressor refrigeration capacity  
*P* Power consumption  
*I* Current draw

Subject to change without notice

---

To:

From:

13.03.2026  
Page 6 of 12

VAP 11.15.3 – [vap.danfoss.com](http://vap.danfoss.com)

**Subject:**

---

**Scope of supply**

Semi-hermetic six-cylinder reciprocating compressor with drive motor  
Single-section compressor housing with hermetically integrated electric motor

Rear bearing flange prepared for oil differential pressure sensor DELTA-P II

Winding protection with PTC resistor sensors and electronic trigger unit INT69 G  
115-230 V AC, 50/60 Hz, IP00

Oil pump

Possibility of connection of oil level controllers ESK, AC+R or CARLY

Possibility of connection of oil level controllers Traxoil <sup>1)</sup>

Possibility for connection of oil pressure safety switch MP54

Oil charge:

HG: **BOCK**lub A46

HGX: **BOCK**lub E55

Sight glass

Pressure relief valve

Suction and discharge line valve

Inert gas charge

**Accessories**

(Digital) capacity regulator DCR14 230 V - 1 - 50/60 Hz, IP65  
possible equipment see Capacity regulator 09900-DGbF

Cylinder cover prepared for digital capacity regulator

Oil sump heater 230 V - 1 - 50/60 Hz, 160 W

USB converter for INT69 G Diagnose <sup>2)</sup>

Oil pressure safety switch MP54 230 V - 1 - 50/60 Hz, IP20 <sup>2)</sup>

INT69 G Diagnose 115-230 V AC, 50/60 Hz, IP00 (INT69 G not applicable)

INT69 GTML Diagnose 115-230 V AC, 50/60 Hz, IP00, including oil differential pressure sensor INT250G,  
thermal protection thermostat per cylinder covers, (INT69 G not applicable) <sup>2)</sup>

Oil differential pressure sensor DELTA-P II 220-240 V - 1 - 50/60 Hz <sup>2)</sup>

Connection piece suction and discharge valve in welding design

Thermal protection thermostat per cylinder cover

Oil temperature sensor (Pt1000, for external evaluation)

Subject to change without notice

**BOCK® HGX56e/850-4 S**  
Engine: 380-420V Y/YY -3- 50Hz PW  
Refrigerant: R452A



**Subject:**

---

Hot gas temperature sensor (Pt1000, for external evaluation) <sup>3)</sup>

Thermal protection thermostat per cylinder cover

Additional fan  
230 V AC - 1 - 50 Hz, 97 W, IP44  
230 V AC - 1 - 60 Hz, 128 W <sup>2)</sup>

Injection nozzle for liquid injection <sup>2)</sup>

4 anti-vibration pads enclosed

Special voltage and/or frequency (on request)

- 
- 1) Only with additional adapter possible
  - 2) Enclosure
  - 3) Mounted

Subject to change without notice

---

To:

From:

13.03.2026  
Page 8 of 12

VAP 11.15.3 – [vap.danfoss.com](http://vap.danfoss.com)

**BOCK® HGX56e/850-4 S**  
Engine: 380-420V Y/YY -3- 50Hz PW  
Refrigerant: R452A



**Subject:**

---

## **Dimensions and connections**

Subject to change without notice

---

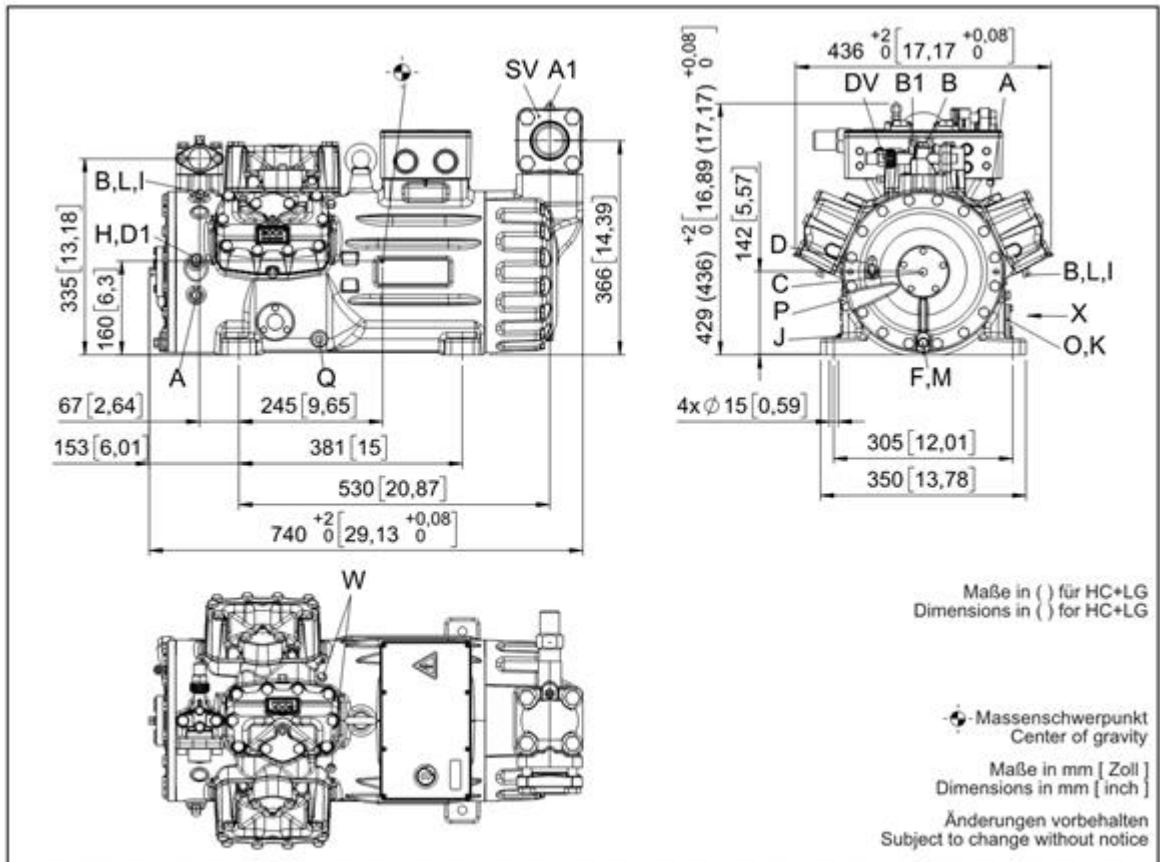
To:

From:

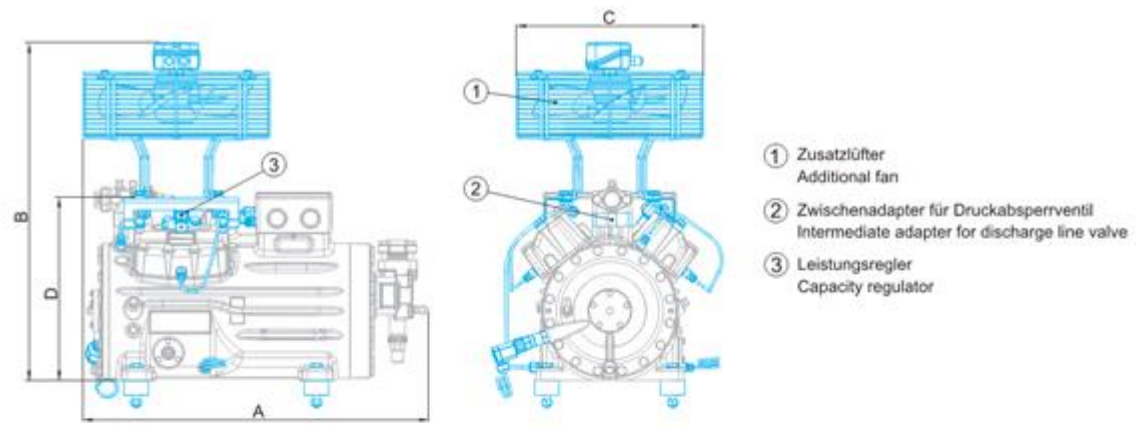
13.03.2026  
Page 9 of 12

VAP 11.15.3 – [vap.danfoss.com](http://vap.danfoss.com)

**Subject:**



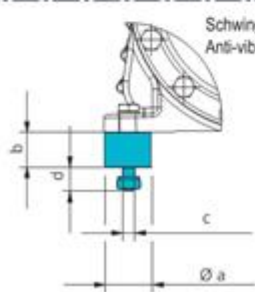
**Maße Zubehör / Dimensions Accessories**



Typ / Type	A mm / inch	B mm / inch	C mm / inch	D mm / inch
HG12P	ca. 460 / 18	ca. 500 / 20	ca. 315 / 12	-
HG22e	ca. 525 / 21	ca. 610 / 24	ca. 380 / 15	-
HG34e	ca. 580 / 23	ca. 640 / 25	ca. 380 / 15	-
HG44e	ca. 710 / 28	ca. 685 / 27	ca. 380 / 15	368 / 14
HG56e	-	ca. 710 / 28	ca. 380 / 15	-
HG66e	ca. 820 / 32	ca. 800 / 31	ca. 380 / 15	-

Ansicht X: Anschlussmöglichkeit für Ölspiegelregulator  
 View X: Possibility of connection of oil level regulator

○ Dreilochanschluss für TRAXOIL (3xM6x10)  
 Three-hole connection for TRAXOIL (3xM6x10)  
 ● Dreilochanschluss für ESK, AC+R, CARLY (3xM6x10)  
 Three-hole connection for ESK, AC+R, CARLY (3xM6x10)



Typ / Type	Øa mm / inch	b mm / inch	c mm / inch	d mm / inch
HG12P	30 / 1.2	30 / 1.2	M8	20 / 0.8
HG22e	40 / 1.6	30 / 1.2	M10	20 / 0.8
HG34e	40 / 1.6	30 / 1.2	M10	20 / 0.8
HG44e	50 / 2.0	30 / 1.2	M12	25 / 1.0
HG56e	50 / 2.0	30 / 1.2	M12	25 / 1.0
HG66e	50 / 2.0	30 / 1.2	M12	25 / 1.0
HG88e	70 / 2.8	45 / 1.8	M12	37 / 1.5

ange without notice



**Subject:**

SV	Suction line valve, tube $\varnothing$ <sup>1)</sup>	54 mm - 2 1/8 "
DV	Discharge line valve, tube $\varnothing$ <sup>1)</sup>	35 mm - 1 3/8 "
A	Connection suction side, not lockable	1/8 " NPTF
A1	Connection suction side, lockable	7/16 " UNF
B	Connection discharge side, not lockable	1/8 " NPTF
B1	Connection discharge side, lockable	7/16 " UNF
C	Connection oil pressure safety switch OIL	1/8 " NPTF
D	Connection oil pressure safety switch LP	7/16 " UNF
D1	Connection oil return from oil separator	1/4 " NPTF
F	Oil drain	M 12 x 1.5
H	Oil charge plug	1/4 " NPTF
I	Connection hot gas temperature sensor	1/8 " NPTF
J	Connection oil sump heater	3/8 " NPTF
K	Sight glass	3 x M 6
L	Connection thermal protection thermostat	1/8 " NPTF
M	Oil strainer	M 12 x 1.5
O	Connection oil level regulator	3 x M 6
P	Connection oil differential pressure sensor	M 20 x 1.5
Q	Connection oil temperature sensor	1/8" NPTF
W	Connection for refrigerant injection	2 x 1/8 " NPTF

1) Brazing connection

**BOCK® HGX56e/850-4 S**  
Engine: 380-420V Y/YY -3- 50Hz PW  
Refrigerant: R452A



**Subject:**

---

**Product photo**



---

Subject to change without notice

To:

From:

13.03.2026  
Page 12 of 12

VAP 11.15.3 – [vap.danfoss.com](http://vap.danfoss.com)