

BOCK® HGX34e/215-4 S

Engine: 220-240V Δ / 380-420V Y -3- 50Hz

Refrigerant: R452A



Subject:

Performance data

Application: Refrigeration & AC

Refrigerant	R452A	Compressor refrigeration capacity	8.23 kW
Reference temperature	Dew point	Evaporator refrigeration capacity	8.23 kW
Power supply	50 Hz, 400 V	Power consumption	3.91 kW
Supply frequency	50 Hz	Current draw (400 V)	8.38 A
Evaporating temperature	-10.0 °C	Coefficient of performance (COP/EER)	2.11
<i>Evaporating pressure (abs.)</i>	<i>3.99 bar</i>	Condensing capacity	12.20 kW
Condensing temperature	45.0 °C	Mass flow	0.078 kg/s
<i>Condensing pressure (abs.)</i>	<i>19.83 bar</i>	Discharge end temperature	75.2 °C ¹⁾
Suction gas superheat	10 K		
Subcooling (outside cond.)	0 K		
Usable superheat	100%		

Preliminary capacity data.

-
- 1) The stated value of the discharge end temperature is a mere calculated value. Additional cooling and heat dissipation are not considered. Deviations (particularly in deep freezing applications) from the real measured discharge temperature during operation are possible.

Subject to change without notice

To:

From:

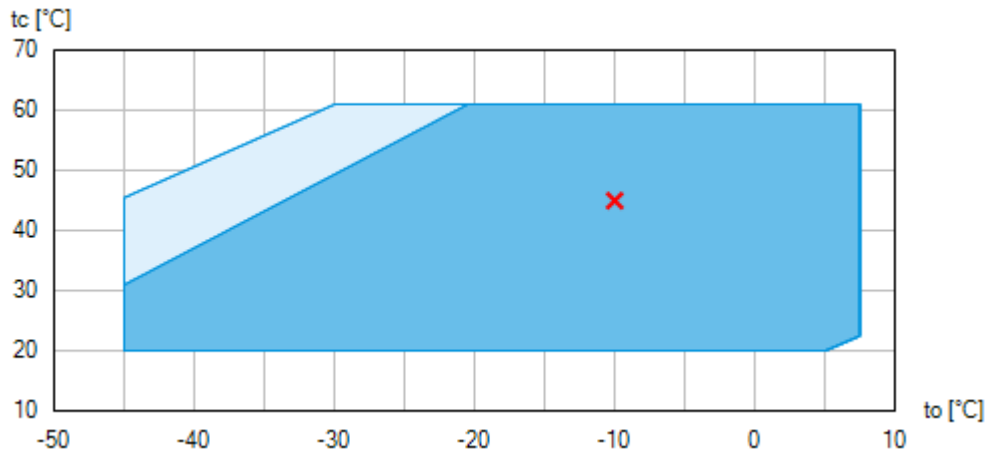
13.03.2026



Page 1 of 11

VAP 11.15.3 – vap.danfoss.com

Subject:

Operating limits



-  Unlimited application range
-  Supplementary cooling or reduced suction gas temperature ($\Delta t_{oh} < 20K$)

Compressor operation is possible within the limits shown on the diagrams of application. Please note the coloured areas. Compressor application limits should not be chosen for design purposes or continuous operation. Axis values refer to dew point (saturated vapour line).

BOCK® HGX34e/215-4 S

Engine: 220-240V Δ / 380-420V Y -3- 50Hz

Refrigerant: R452A



Subject:

Technical data

Number of cylinders / Bore / Stroke	4 / 41,5 mm / 40 mm
Displacement 50/60 Hz (1450/1740 1/min)	18,80 / 22,60 m ³ /h
Voltage ¹⁾	220-240V Δ / 380-420V Y -3- 50Hz
	265-290V Δ / 440-480V Y -3- 60Hz
Max. working current ²⁾	18.9 / 10.9 A
Max. power consumption ²⁾	6.0 kW
Starting current (rotor blocked) ²⁾	114.0 / 66.0 A
Motor protection	INT69 G
Protection terminal box	IP 66
Weight	97 kg
Frequency range ³⁾	25 - 70 Hz
Max. permissible overpressure (g) (LP/HP) ⁴⁾	19 / 28 bar
Connection suction line SV	28 mm - 1 1/8 "
Connection discharge line DV	22 mm - 7/8 "
Lubrication	Oil pump
Oil type R134a, R404A, R407A/C/F, R448A, R449A, R450A, R513A	BOCKlub E55
Oil type R22	BOCKlub A46
Oil charge	1,3 Ltr.
Dimensions Length / Width / Height	535 / 282 / 318 mm
Sound power level L _{WA} ⁵⁾	69 dB(A) @ -35 °C / +40 °C
	67 dB(A) @ -10 °C / +45 °C
	66 dB(A) @ +5 °C / +50 °C
Sound pressure level L _{pA} ⁵⁾	57 dB(A) @ -35 °C / +40 °C
	54 dB(A) @ -10 °C / +45 °C
	54 dB(A) @ +5 °C / +50 °C

1) Tolerance (± 10%) relates to the mean value of the voltage range. Other voltages and current types on request

All data are based on voltage rms values

Subject to change without notice

To:

From:

13.03.2026

Page 3 of 11

VAP 11.15.3 – vap.danfoss.com

BOCK® HGX34e/215-4 S

Engine: 220-240V Δ / 380-420V Y -3- 50Hz

Refrigerant: R452A



Subject:

- 2) - The stated value for the max. power consumption is valid for the adjusted power supply.
 - Starting current (rotor blocked):
 - Part winding (PW) motors: Winding 1 / Winding 1+2
 - Delta/Star (Δ /Y) motors: Δ / Y
 - Take account of the max. operating current / max. power consumption for designing motor contractors, feed lines, fuses and motor protection switches. Motor contractors: Consumption category AC3.
- 3) The maximum permissible working current of the compressor (I_{max}) must not be exceeded. Take account of the guidelines for use of frequency inverter (see compressor assembly instruction or selection software).
- 4) LP = Low pressure
HP = High pressure
- 5) Declared dual-number noise emission values are in accordance with ISO 4871. The corresponding uncertainty to the sound power level is $K_{WA} = 2,5$ dB and to the sound pressure level is $K_{pA} = 2,5$ dB. The values are valid for 50 Hz with the refrigerant R404A at the standard rating points according to EN 12900.
 - A-weighted sound power level L_{WA} (re 1 pW), in decibel. To determine the values, measurement methods of the ISO 3740 standard with accuracy class 2 or higher were used .
 - A-weighted sound pressure level L_{pA} (re 20 μ Pa), in decibel. The values are calculated from the sound power level in accordance with ISO 11203: $L_{pA} = L_{WA} - Q_2$ at a distance of $d = 1$ m to the reference box.

Subject to change without notice

To:

From:

13.03.2026
Page 4 of 11

VAP 11.15.3 – vap.danfoss.com

BOCK® HGX34e/215-4 S

Engine: 220-240V Δ / 380-420V Y -3- 50Hz

Refrigerant: R452A



Subject:

Performance data table

Application: Refrigeration & AC
Reference temperature: Dew point
Supply frequency: 50 Hz
Voltage: 400 V
Suction gas superheat: 10 K
Subcooling (outside cond.): 0 K

tc [°C]		to [°C]									
		0.0	-5.0	-10.0	-15.0	-20.0	-25.0	-30.0	-35.0	-40.0	-45.0
15.0	Q [W]										
	P [kW]										
	I [A]										
20.0	Q [W]	20400	16600	13400	10600	8150	6150	4490	3150	2080	1240
	P [kW]	2.93	2.97	2.92	2.80	2.61	2.37	2.08	1.76	1.42	1.07
	I [A]	7.35	7.39	7.35	7.23	7.05	6.82	6.56	6.29	6.02	5.75
25.0	Q [W]	19000	15500	12400	9700	7470	5600	4060	2810	1820	1040
	P [kW]	3.32	3.29	3.17	2.99	2.76	2.47	2.16	1.81	1.46	1.10
	I [A]	7.76	7.72	7.60	7.42	7.19	6.92	6.63	6.34	6.05	5.78
30.0	Q [W]	17600	14300	11400	8860	6780	5050	3630	2480	1570	853.00
	P [kW]	3.69	3.58	3.40	3.16	2.88	2.56	2.21	1.85	1.48	1.12
	I [A]	8.14	8.03	7.84	7.59	7.31	7.00	6.68	6.36	6.07	5.79
35.0	Q [W]	16200	13100	10400	8010	6090	4500	3210	2160	1340	690.00
	P [kW]	4.02	3.84	3.60	3.31	2.98	2.62	2.25	1.86	1.49	1.13
	I [A]	8.51	8.31	8.05	7.74	7.40	7.06	6.71	6.38	6.07	5.80
40.0	Q [W]	14800	11800	9270	7160	5410	3960	2790	1860	1130	547.00
	P [kW]	4.32	4.07	3.77	3.42	3.05	2.66	2.26	1.86	1.47	1.11
	I [A]	8.85	8.57	8.23	7.86	7.48	7.09	6.72	6.37	6.06	5.79
45.0	Q [W]	13300	10600	8230	6310	4720	3430	2390	1570	924.00	425.00
	P [kW]	4.59	4.27	3.91	3.51	3.10	2.67	2.25	1.83	1.44	1.08
	I [A]	9.17	8.79	8.38	7.96	7.52	7.11	6.71	6.35	6.03	5.76
50.0	Q [W]	11800	9280	7190	5460	4040	2910	2000	1300	745.00	
	P [kW]	4.82	4.44	4.02	3.57	3.12	2.66	2.21	1.78	1.39	
	I [A]	9.45	8.99	8.51	8.02	7.54	7.09	6.68	6.31	5.99	
55.0	Q [W]	10300	8020	6140	4600	3370	2390	1630	1040		
	P [kW]	5.02	4.57	4.09	3.60	3.11	2.62	2.15	1.71		
	I [A]	9.69	9.14	8.59	8.05	7.54	7.06	6.63	6.25		
60.0	Q [W]	8780	6740	5080	3750	2700	1890	1260			
	P [kW]	5.19	4.67	4.14	3.60	3.07	2.56	2.07			
	I [A]	9.89	9.26	8.65	8.05	7.50	7.00	6.55			

Preliminary capacity data.



Supplementary cooling or reduced suction gas temperature ($\Delta t_{oh} < 20K$)

to Evaporating temperature
tc Condensing temperature
Q Compressor refrigeration capacity
P Power consumption
I Current draw

Subject to change without notice

To:

From:

13.03.2026
Page 5 of 11

VAP 11.15.3 – vap.danfoss.com

BOCK® HGX34e/215-4 S

Engine: 220-240V Δ / 380-420V Y -3- 50Hz

Refrigerant: R452A



Subject:

Scope of supply

Semi-hermetic four cylinder reciprocating compressor with drive motor
Single-section compressor housing with hermetically integrated electric motor

Winding protection with PTC resistor sensors and electronic trigger unit INT69 G
115-230 V AC, 50/60 Hz, IP00

Oil pump

Possibility for connection of oil pressure safety switch MP55

Possibility of connection of oil level controllers ESK, Traxoil, AC+R or CARLY ¹⁾

Oil charge:

HG: **BOCK**lub A46

HGX: **BOCK**lub E55

Sight glass

Suction and discharge line valve

Inert gas charge

Accessories

(Digital) capacity regulator DCR14 230 V - 1 - 50/60 Hz, IP65
possible equipment see Capacity regulator 09900-DGbF

Cylinder cover prepared for digital capacity regulator

Oil sump heater

110-240 V - 1 - 50/60 Hz, 50-120 W, IP66

PTC heater self-regulating

Oil pressure safety switch MP55 230 V - 1 - 50/60 Hz, IP20 ²⁾

USB converter for INT69 G Diagnose ²⁾

INT69 G Diagnose 115-230 V AC, 50/60 Hz, IP00 (INT69 G not applicable)

Thermal protection thermostat per cylinder cover ³⁾

Additional fan

230 V AC - 1 - 50 Hz, 97 W, IP44

230 V AC - 1 - 60 Hz, 128 W ²⁾

Step protection

Injection nozzle for liquid injection ²⁾

4 anti-vibration pads enclosed

Special voltage and/or frequency (on request)

Subject to change without notice

To:

From:

13.03.2026

Page 6 of 11

VAP 11.15.3 – vap.danfoss.com

BOCK® HGX34e/215-4 S

Engine: 220-240V Δ / 380-420V Y -3- 50Hz

Refrigerant: R452A



Subject:

- 1) Only with additional adapter possible
- 2) Enclosure
- 3) Mounted

Subject to change without notice

To:

From:

13.03.2026
Page 7 of 11

VAP 11.15.3 – vap.danfoss.com

BOCK® HGX34e/215-4 S
Engine: 220-240V Δ / 380-420V Y -3- 50Hz
Refrigerant: R452A



Subject:

Dimensions and connections

Subject to change without notice

To:

From:

13.03.2026
Page 8 of 11

VAP 11.15.3 – vap.danfoss.com

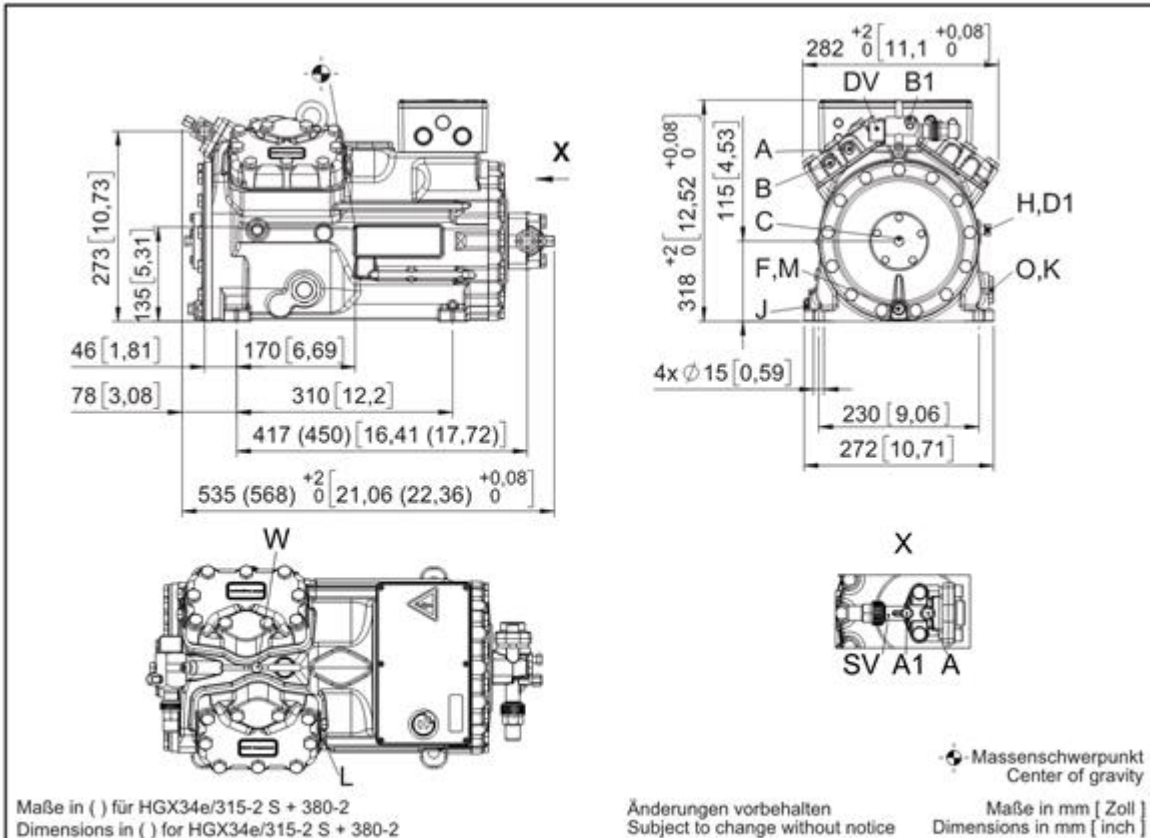
BOCK® HGX34e/215-4 S

Engine: 220-240V Δ / 380-420V Y -3- 50Hz

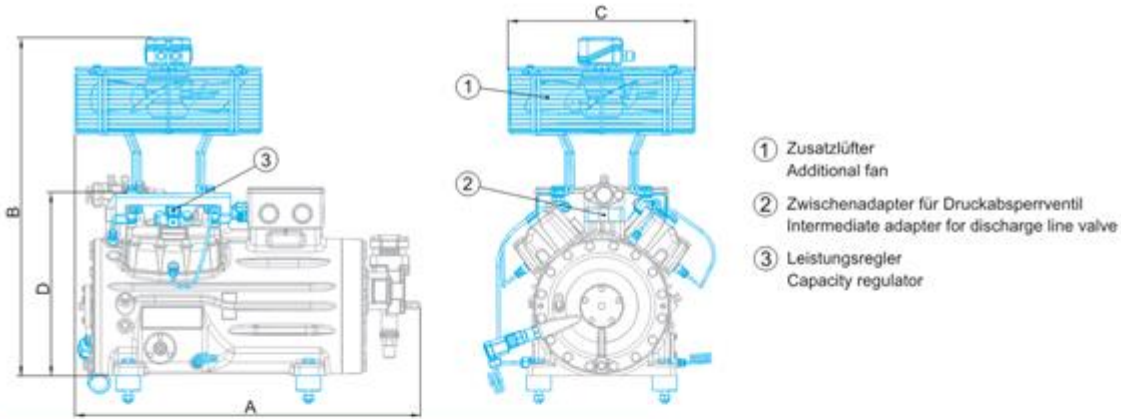
Refrigerant: R452A



Subject:



Maße Zubehör / Dimensions Accessories

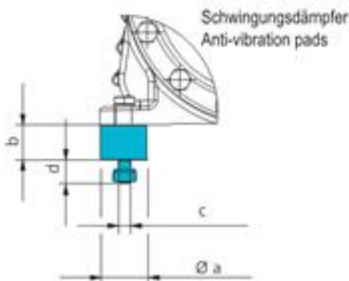


Typ / Type	A mm / inch	B mm / inch	C mm / inch	D mm / inch
HG12P	ca. 460 / 18	ca. 500 / 20	ca. 315 / 12	-
HG22e	ca. 525 / 21	ca. 610 / 24	ca. 380 / 15	-
HG34e	ca. 580 / 23	ca. 640 / 25	ca. 380 / 15	-
HG44e	ca. 710 / 28	ca. 685 / 27	ca. 380 / 15	368 / 14
HG56e	-	ca. 710 / 28	ca. 380 / 15	-
HG66e	ca. 820 / 32	ca. 800 / 31	ca. 380 / 15	-

Ansicht X: Anschlussmöglichkeit für Ötspiegelregulator
View X: Possibility of connection of oil level regulator



- Dreilochanschluss für TRAXOIL (3xM6x10)
Three-hole connection for TRAXOIL (3xM6x10)
- Dreilochanschluss für ESK, AC+R, CARLY (3xM6x10)
Three-hole connection for ESK, AC+R, CARLY (3xM6x10)



Typ / Type	Øa mm / inch	b mm / inch	c mm / inch	d mm / inch
HG12P	30 / 1.2	30 / 1.2	M8	20 / 0.8
HG22e	40 / 1.6	30 / 1.2	M10	20 / 0.8
HG34e	40 / 1.6	30 / 1.2	M10	20 / 0.8
HG44e	50 / 2.0	30 / 1.2	M12	25 / 1.0
HG56e	50 / 2.0	30 / 1.2	M12	25 / 1.0
HG66e	50 / 2.0	30 / 1.2	M12	25 / 1.0
HG88e	70 / 2.8	45 / 1.8	M12	37 / 1.5

ange without notice

13.03.2026
Page 9 of 11

l.15.3 - vap.danfoss.com

BOCK® HGX34e/215-4 S

Engine: 220-240V Δ / 380-420V Y -3- 50Hz

Refrigerant: R452A



Subject:

SV	Suction line valve, tube \varnothing ¹⁾	28 mm - 1 1/8 "
DV	Discharge line valve, tube \varnothing ¹⁾	22 mm - 7/8 "
A	Connection suction side, not lockable	1/8 " NPTF
A1	Connection suction side, lockable	7/16 " UNF
B	Connection discharge side, not lockable	1/8 " NPTF
B1	Connection discharge side, lockable	7/16 " UNF
C	Connection oil pressure safety switch OIL	1/8 " NPTF
D1	Connection oil return from oil separator	1/4 " NPTF
F	Oil drain	M 12 x 1.5
H	Oil charge plug	1/4 " NPTF
J	Connection oil sump heater	3/8 " NPTF
K	Sight glass	1 1/8 " - 18 UNEF
L	Connection thermal protection thermostat	1/8 " NPTF
M	Oil strainer	M 12 x 1.5
O	Connection oil level regulator	1 1/8 " - 18 UNEF

1) Brazing connection

Subject to change without notice

To:

From:

13.03.2026
Page 10 of 11

VAP 11.15.3 – vap.danfoss.com

BOCK® HGX34e/215-4 S
Engine: 220-240V Δ / 380-420V Y -3- 50Hz
Refrigerant: R452A



Subject:

Product photo



Subject to change without notice

To:

From:

13.03.2026
Page 11 of 11

VAP 11.15.3 – vap.danfoss.com